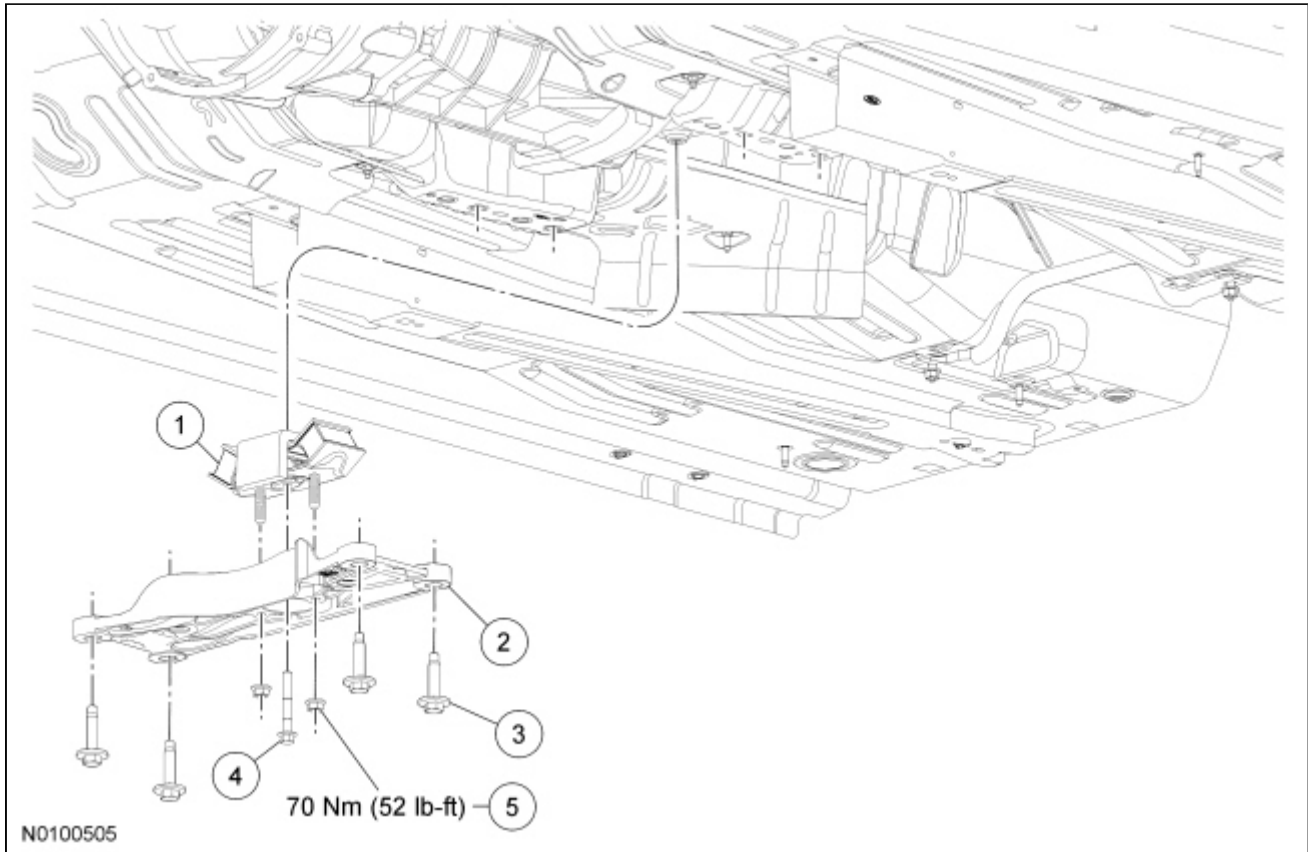


## Transmission Rear Support Insulator

### Transmission Rear Support Insulator



Item	Part Number	Description
1	7E373	Transmission rear support insulator
2	5060	Transmission crossmember
3	W505466	Transmission crossmember bolt (4 required)
4	N804518	Transmission rear support insulator center bolt
5	W520113	Transmission rear support insulator nut (2 required)

1. With the vehicle in NEUTRAL, position it on a hoist. For additional information, refer to [Section 100-02](#).
2. **NOTE:** Note that the crossmember hump side goes up.

Remove the transmission crossmember. For additional information, refer to [Section 502-00](#).

3. Remove the 2 transmission rear support insulator nuts. Separate the transmission rear support insulator from the transmission mount.
  - To install, tighten to 70 Nm (52 lb-ft).
4. To install, reverse the removal procedure.

